



ecomode
performance

Kässbohrer
Driven by professionals®



performance S2-260

TRUCK SUPERSTRUCTURE

The ecomode performance line includes closed motor vehicles and central-axle trailers, especially for the safe transport of particularly exclusive limousines, precious prototypes, individual exhibition vehicles and vintage cars.

- ◆ Maximum protection and safety for the vehicles to be transported
- ◆ The **ecomode performance S2-260** offers stand-alone operation and combined operation with trailer model **ecomode performance T2-180**
- ◆ Comfortable loading of vehicles with low ground clearance
- ◆ Large folding doors and hinge doors with optional central locking system on both sides of the vehicle provide easy access and good visibility to the loaded vehicles
- ◆ Loading is carried out by hydraulic tail lift
- ◆ Flexible in use, especially for urban and distribution transport

Type:



ecomode performance S2-260



WEIGHTS & DIMENSIONS

Technically permissible maximum mass:
26,000 kg

Maximum payload:
8,500 - 9,000 kg
(depending on equipment)

Length of inside tracks:
9,750 mm

Entry width:
on lifting platform: 2,150 mm
between bottom pillars: 2,300 mm

Overall vehicle length:
max. 10,650 mm

Notice:
The S2-260 truck can be combined with the T2-180 trailer.

ecomode performance S1-075
ecomode performance S2-260
ecomode performance S4-260 L

ecomode performance S2-180
ecomode performance T2-180
ecomode performance T4-235

capitan performance 6-280
ecotrans performance 6-250

Configuration of the *ecomode* truck superstructure *performance S2-260*

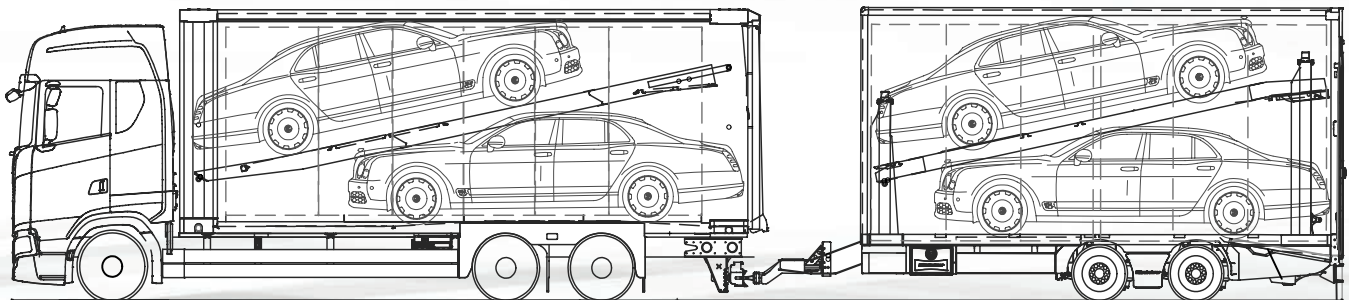
Standard equipment:

- Fully hot-dip galvanised lower loading platform with two pairs of pan fields and ten pairs of pan covers
- Fully hot-dip galvanised upper loading platform with four spindle lifting pillars
- Box body with double doors on left and right side, hydraulic tail lift
- LED loading area lighting
- Stainless steel tool box

Optional equipment:

- Radio remote control for all *ecomode* functions
- Cable winch installed at the front bottom pillar support
- Central door locking system
- Tie-down eyelets with load securing certificate for general cargo transport
- Multicolour lacquering / metallic lacquering

For more details and additional equipment options please refer to the respective data sheets. The illustrations are used as examples and might show vehicles with optional equipment. We reserve the right to make changes due to errors or based on technical progress.



Loading example *ecomode* performance S2-260 combined with *ecomode* performance T2-180 with 4,00 m height.
Observe national regulations!

Driven by professionals®

When you purchase a Kässbohrer vehicle transporter, you not only acquire the vehicle but also a wealth of services and the certainty that you are driving the transporter of a company that is the market leader concerning quality and consistency.

Kässbohrer vehicle transporters are compatible with the chassis of all leading truck manufacturers. The design of Kässbohrer vehicle transporters makes it possible to combine motor vehicles and trailers of different model series and thus precisely adapt them to your individual transport requirements.

All common spare parts are quickly available from the Kässbohrer Service Center and from the contractual partners. A user-friendly spare parts catalogue, with a lot of additional information and the possibility of online access, guarantees problem-free ordering. Repairs are carried out quickly and reliably in our own workshop in Salzburg-Eugendorf (Austria) and at the contracted workshops on the main European transport routes.

