



Kässbohrer

Driven by professionals®



modolan®

WEIGHTS AND DIMENSIONS

TRUCK SUPERSTRUCTURE

The modolan® model offers an extraordinarily flexible load arrangement. The individual layout represents the ideal solution for economically transporting large vehicles like SUV's, mobile homes, caravans, box wagons and vans.

- ◆ Its compact and modular structure results in excellent cost effectiveness and operation efficiency
- ◆ Very simple to load and unload
- ◆ Choose between models go, eco and plus according to your individual requirements
- ◆ Perfectly adapted for return and consolidated transports due to the large range of combinations

Net weight of the superstructure:

modolan®go: 1,700 – 1,850 kg

modolan®eco: 2,500 – 2,900 kg

modolan®plus: 2,700 – 3,100 kg

Wheel base:

4,100 – 4,300 mm

Overall vehicle length:

ca. 8,000 mm

Overall vehicle width:

2,550 mm

Maximum permitted gross weight:

modolan® go: 12 – 18 t

modolan® eco: 12 – 18 t

modolan® plus: 15 – 18 t

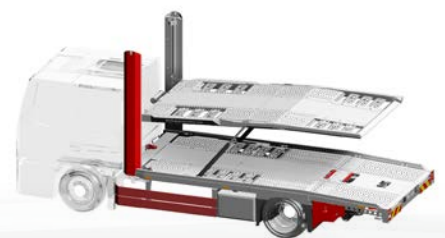
Typ:



modolan® go



modolan® eco



modolan® plus

Configuration of the *modolan*® truck superstructure

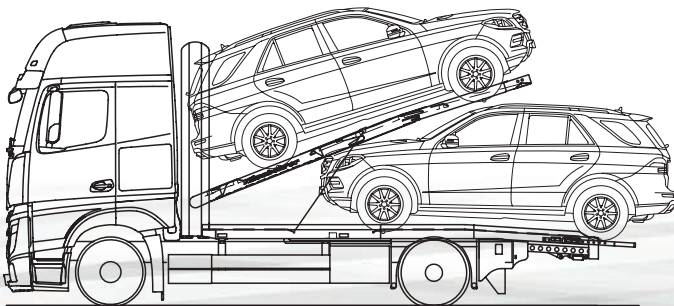
Standard equipment:

- ◆ Bolted, fully galvanized superstructure in lightweight steel construction with low chassis height, including side protection equipment
- ◆ Lower platform: Rear tracks manually extendable hydraulically to the rear end
- ◆ *modolan*®eco: kick-up platform with hydraulic adjustment at the rear end and automatic locks
- ◆ *modolan*®plus: kick-up platform with hydraulic adjustment at the front and at the rear end and automatic locks
- ◆ Low-wear Kässbohrer hitch ball coupling
- ◆ Wheel houses with spray mist prevention

Optional equipment:

- ◆ Return transport kit: additional lashing eyelets, lateral guides for load securing
- ◆ Hydraulic winch, including free-wheeling, covers, deflection and guide rollers and wireless remote control
- ◆ Center part of the platform with aluminium chequer plates for enhanced operational safety
- ◆ Additional telescopic access ramps for loading and unloading the individual truck or while the trailer is at a 90° angle. Average drive-on angle is 13° (depending on the truck chassis)

For more details and additional equipment options please refer to the respective data sheets. The illustrations are used as examples and might show vehicles with optional equipment. We reserve the right to make changes due to errors or based on technical progress.



Loading example *modolan*® plus with 4,00 m height.
Observe national regulations!

Driven by professionals®

Your decision gives you the security to own and use a vehicle produced by a company who is famous in the market for the quality and the durability of its products.

Kässbohrer transporter superstructures are compatible with chassis of all leading truck manufacturers. The design of our car carriers gives you the possibility to combine trucks and trailers from different models and to adjust them to fit your individual needs.

All the standard spare parts are available in our service center and at our contractual partners. You can also check our online catalogue for more detailed information and for a trouble-free ordering process.

Repairs are carried out quickly and reliably at our headquarters workshop in Eugendorf (Austria) and the authorized workshops along major European transport routes.

